

MEC[™] Excela-Flange High Capacity Pump Discharge Elbows



Description

These high capacity bobtail pump discharge elbows are designed to maximize the efficiency and flow rate at the outlet of the pump while minimize pressure loss due to the 90 degree directional change at the pump outlet needed to direct product to the rear of the vehicle where it is being dispensed. The MEP840H has carefully modeled radiuses and contours that allow it to flow over 50% more than other standard discharge elbows with 50% less pressure differential, thereby minimizing pump wear and maximizing pumping efficiency. When paired with other Excela-Flange[™] products the bobtail can perform up to its full potential. The MEP840H series is standard with a 1/4" FNPT plugged test port and is available with NPT or socket weld outlet. Suitable for use in mobile or stationary applications.

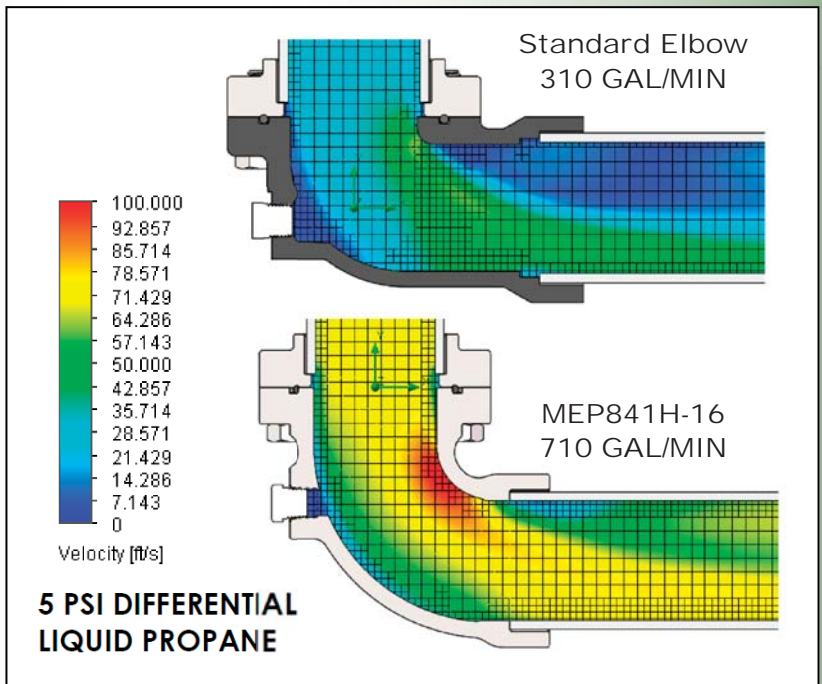
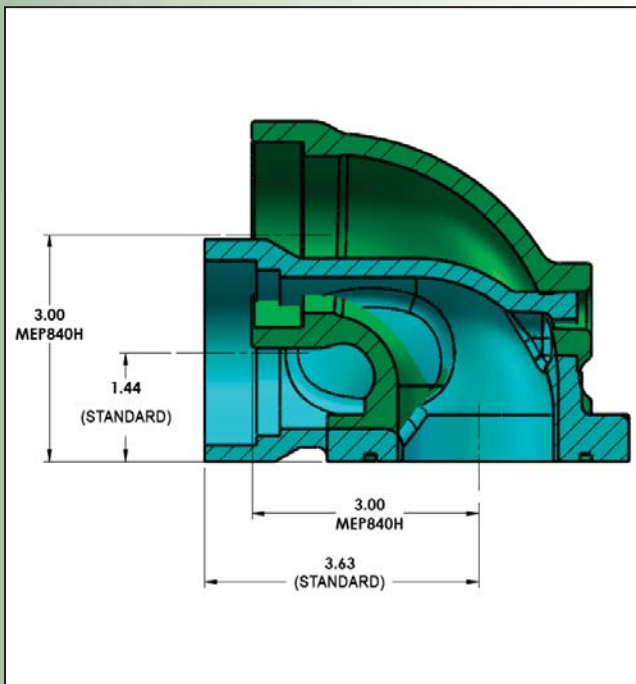
Features

- All steel construction for maximum durability and weldability
- Available in 2" FNPT or 2" Socket Weld configurations
- Zinc Plated for maximum corrosion resistance
- Approved for use in LPG or NH₃ service
- Rated 400 WOG
- Includes mounting bolts and O-ring
- 1/4" FNPT plugged test port

**** NEW ****
CONFIGURATION:

MEC Excela-Flange High Capacity Pump Discharge Elbows		
Part No.	Description	Fits Pump Model(s)
MEP840H-16	2" FNPT 4 Bolt Type A High Capacity 90° Flange Adapter Elbow w/ 1/2-13 Bolts & O-Ring	TLGLF3
MEP841H-16	2" Socket Weld 4 Bolt Type A High Capacity 90° Flange Adapter Elbow w/ 1/2-13 Bolts & O-Ring	TLGLF3
MEP840HC-16	2" FNPT 4 Bolt Type A High Capacity 90° Flange Adapter Elbow w/ 3/8-16 Bolts & O-Ring	Z3200
MEP840HC-16	2" Socket Weld 4 Bolt Type A High Capacity 90° Flange Adapter Elbow w/ 3/8-16 Bolts & O-Ring	Z3200

*Available in stainless steel



For Your Local Marshall Excelsior Distributor Call 269-789-6700,
 Fax 269-781-8340 or E-mail: sales@marshallexcelsior.com
 www.marshallexcelsior.com

