

High Flow Bypass Valves for Dispensing Applications

APPLICATION:

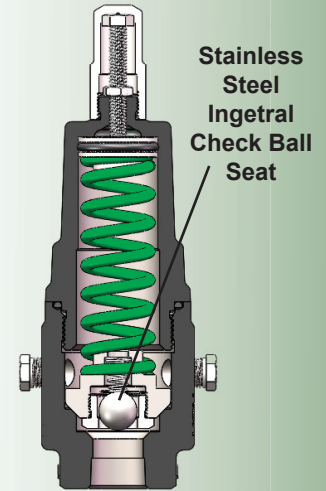
Intended for use in small cylinder filling applications as a bypass and primer valve for turbine style dispensing pumps. These bypass valves have a special "check ball" mechanism that helps eliminate vapor from liquid while keeping the pump flooded and properly primed. The priming and vapor elimination feature reduces pump wear and promotes seal longevity.

FEATURES:

- Ductile iron body and bonnet construction
- Large range of set pressure springs
- Two 1/4" FNPT plugged auxiliary pressure ports (outlet side)
- Stainless steel main valve poppet
- Heavy duty protective stem cap
- Available in 3/4" & 1" FNPT threaded versions
- Factory set at 125 PSI
- Durable powder coat finish
- Alternative springs available: ME840-8-108-60 (25-60 PSI)
ME840-8-108-225 (100-225 PSI)



ME840-6-150



ME840-8-150

| Part No. | Description | Standard Spring Range |
|---|--|-----------------------|
| ME840-6-150 | 3/4" FNPT High Flow Bypass Valve | 50-150 PSI |
| ME840-8-150 | 1" FNPT High Flow Bypass Valve | 50-150 PSI |
| * Alternate spring ranges available. Please see replacement parts section | | |
| Replacement Parts and Accessories | | |
| Part No. | Description | |
| ME840-6K | 3/4" - 1" Complete Bypass Repair Kit - Less Spring | |
| ME840-6SRK | 3/4" - 1" Bypass Seal Repair Kit | |
| ME840-8-108-60 | 3/4" - 1" Bypass Valve Spring 25-60 PSI | |
| ME840-8-108-150 | 3/4" - 1" Bypass Valve Spring 50-150 PSI | |
| ME840-8-108-225 | 3/4" - 1" Bypass Valve Spring 100-225 PSI | |
| ME870-24-06 | 3/4" - 1" Bypass Valve Replacement Bonnet O-Ring | |



| FLOW RANGE | | | | | | |
|--|-----------------------|---------|---------|-----------------------|---------|---------|
| Minimum and Maximum Flow Rating* - GPM (Water) @ | | | | | | |
| Part No. | Min. Flow (GPM/Water) | | | Max. Flow (GPM/Water) | | |
| | 125 PSI | 150 PSI | 200 PSI | 125 PSI | 150 PSI | 200 PSI |
| ME840-6-150 | 30 | 58 | 94 | 97 | 109 | 129 |

