

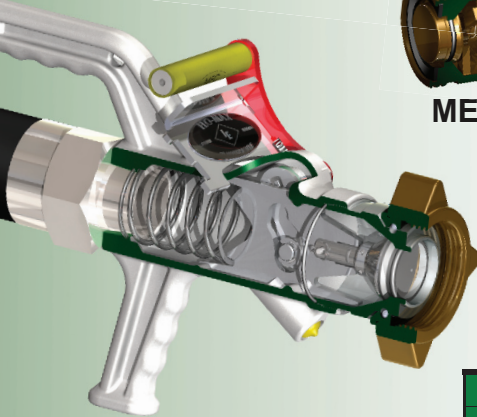
TURBO-FLO LE Dry Break Transfer Systems



ME807-16



ME868-16 / ME825IBC-16



ME806-16



APPLICATION:

For use with LPG & LH3 Transfer Systems. This revolutionary system provides a safe, ergonomic and efficient solution for transfer applications while increasing productivity and dramatically reducing fugitive product emissions. For use with bobtail, transport, railcar and bulk plant applications.

FEATURES:

- Reduces product emissions 99.6% over standard valve combinations
- 100% compatible with all existing acme transfer connections
- Heavy duty spring loaded safety latch prevents accidental opening of valve
- Cam operated vapor equalization feature for smooth valve operation
- All stainless internal components
- Factory installed hydrostatic relief valve
- Specially formulated low temperature valve seals for maximum performance and life under all operating conditions
- Hardened steel bearing race with stainless steel ball bearings (ME806 Series Only)
- Integrated Back Check (IBC) feature to allow trapped liquid to be forced back upstream of the valve if liquid is trapped downstream of the valve seat (ME807 Series Only)
- Available with brass or steel acme connections (ME806 & ME807 Series)
- Both ME806 & ME807 series allow for bi-directional flow of product

Turbo-Flo LE Transfer Valves			
Part No.	Description	Discharge at Disconnect	Material
ME806-16	Low Emission Transfer Valve 2" FNPT x 3-1/4" F. Acme Swivel	.09CC	Ductile/Brass
ME806S-16	Low Emission Transfer Valve 2" FNPT x 3-1/4" F. Acme Swivel	.09CC	Ductile/Steel
ME807-16	Low Emission Transfer Valve 2" FNPT x 3-1/4" M. Acme Fixed	.09CC	Ductile/Brass
ME807S-16	Low Emission Transfer Valve 2" FNPT x 3-1/4" M. Acme Fixed	.09CC	Ductile/Steel
Low Emission Acme Adapters			
Part No.	Description	Discharge at Disconnect	Material
ME868-16	Low Emission Acme Adapter 2" MNPT x 3-1/4" M. Acme	3.11CC	Brass
ME868-24	Low Emission Acme Adapter 3" MNPT x 3-1/4" M. Acme	3.11CC	Brass
ME868A-16	Low Emission Acme Adapter 2" MNPT x 3-1/4" M. Acme W/ Screen	3.11CC	Brass
ME868A-24	Low Emission Acme Adapter 3" MNPT x 3-1/4" M. Acme W/ Screen	3.11CC	Brass
Replacement Parts & Accessories			
Part No.	Description		
ME806CRK	Replacement 3-1/4" Acme Coupling Repair Kit for ME806 Series		
ME806HRK	Handle Repair Kit for ME806 & ME807 Series		
ME806VRK	Complete Valve Repair Kit for ME806 Series		
ME807CRK	Replacement 3-1/4" M. Acme Adapter Repair Kit (Brass) for ME807 Series		
ME807SCRK	Replacement 3-1/4" M. Acme Adapter Repair Kit (Steel) for ME807 Series		
ME807VRK	Complete Valve Repair Kit for ME807 Series		
ME807PIB	MEC Smart Interlock Sensor Kit for ME807 Series		

