

**ME980-6-902 AND ME980-6-903 REPAIR KITS
FOR: ME980-6 AND ME980-8 SERIES
EMERGENCY SHUTOFF VALVE**

!!!WARNING!!!

READ AND UNDERSTAND ALL INSTRUCTIONS INCLUDED WITH THIS REPAIR KIT
RELIEVE ALL PRESSURE FROM SYSTEM BEFORE REMOVING VALVE FOR SERVICE



WARNING: These products contain a chemical known to the state of California to cause cancer and birth defects or reproductive harm

NOTE: Numbers in brackets [] refer to the number in the valve component list.

A. Disassembly

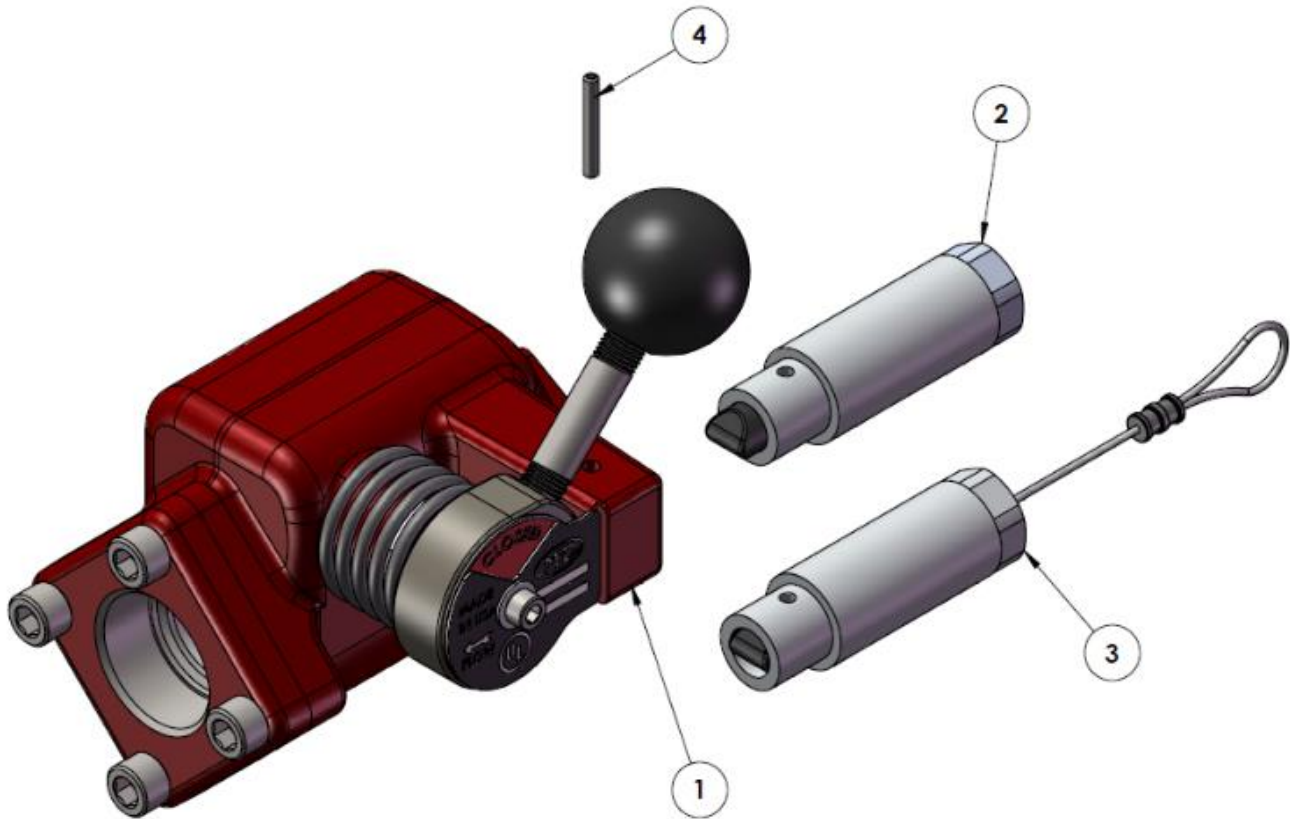
1. **EVACUATE ALL PRESSURE FROM SYSTEM BEFORE ANY DISASSEMBLY OR REPAIR.**
2. Remove Release Pin [4] from Body [1] and discard.
3. Remove either Pneumatic Latch Assembly [2] or Cable Release Assembly [3] from Body [1] and discard.
4. Inspect Valve Body [1] and clean if necessary, be sure interior is free of dirt, residue and foreign particles.

B. Reassembly

1. Install either Pneumatic Latch Assembly [2] or Cable Release Assembly [3] into Body [1].
2. Install Release Pin [4] into Body [1] through either Pneumatic Latch Assembly [2] or Cable Release Assembly [3].
3. Confirm that latch functions properly and allows valve to fully close when activated.

C. Component List

1. Valve Body
2. Pneumatic Latch Assembly
3. Cable Release Assembly
4. Release Pin



Marshall Excelsior Company

1506 George Brown Drive Marshall, MI 49068
Phone (269) 789-6700 Fax (269) 781-8340
www.marshallexcelsior.com