

!!!WARNING!!!

READ AND UNDERSTAND ALL INSTRUCTIONS INCLUDED WITH THIS REPAIR KIT
RELIEVE ALL PRESSURE FROM SYSTEM BEFORE REMOVING VALVE FOR SERVICE

NOTE: Numbers in brackets [] refer to the number in the valve component list. Numbers in parenthesis () refer to quantities of the valve component.

A. Disassembly

1. **EVACUATE ALL PRESSURE FROM SYSTEM BEFORE ANY DISASSEMBLY OR REPAIR.**
2. Remove (2) Mounting Screws [3], Cover Plate [4] and (2) Cover Washers [5] from Body [1] and retain.
3. Remove Packing Gland Assembly [2] and retain.
4. Remove Gland [2A] from Bonnet Stem [2B] and retain.
5. Remove Packing Spacer [2C], Female V-Packing [2D], (3) V-Packing [2E], and Male V-Packing [2F] from Gland [2A] and discard. Retain Packing Washer [2G] and Packing Spring [2H].
6. Remove O-Ring [2J] from Gland [2A] and discard.
7. Remove Cam Screw [2N], Cam Washer [2M], and Cam Assembly [2L] from Bonnet Stem [2B] and retain.
8. Remove Stem Bushing [2K] from Bonnet Stem [2B] and discard.
9. Inspect Valve Body [1] and clean if necessary, be sure interior is free of dirt, residue and foreign particles.

B. Reassembly

1. Install Stem Bushing [2K] on Bonnet Stem [2B].
2. Apply Loctite #271 to threads of bonnet Stem [2B] and install Cam Assembly [2L], Cam Washer [2M], and Cam Screw [2N] on Bonnet Stem [2B] and tighten. Ensure that the Cam Assembly [2L] is installed as shown in Figure 1.
3. Apply lubriplate or equivalent grease to o-ring, install O-Ring [2J] on Gland [2A].
4. Install Packing Spring [2H], Packing Washer [2G], Male V-Packing [2F], (3) V-Packing [2E], Female V-Packing [2D], and Packing Spacer [2C] in gland [2A].
5. Install Gland [2A] on Bonnet Stem [2B].
6. Install Gland Assembly [2] into Body [1].
7. Apply Loctite #271 to threaded holes in Body [1]. Install (2) Mounting Screws [3] through Cover Plate [4] and (2) Cover Washers [5] into Body [1].
8. Connect the valve assembly outlet to a pressure source of at least 150 PSI. Check for leaks at all joints and stem seals using a suitable leak detector solution such as "Marshall Excelsior" leak detector.

CAUTION: DO NOT USE THE VALVE IF ANY JOINT CONTINUES TO LEAK UNDER PRESSURE.



WARNING: These products contain a chemical known to the state of California to cause cancer and birth defects or reproductive harm

Marshall Excelsior Company

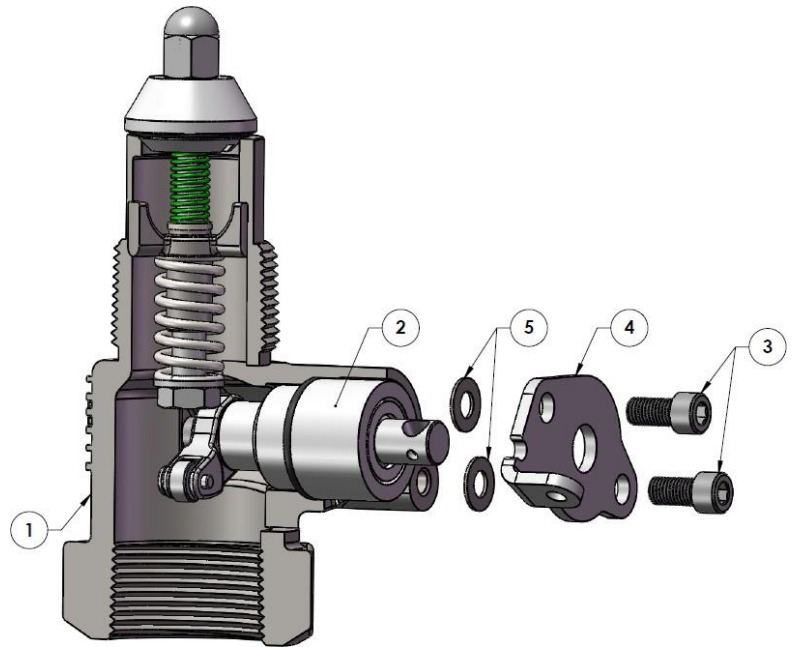
1506 George Brown Drive Marshall, MI 49068
Phone (269) 789-6700 Fax (269) 781-8340
www.marshallexcelsior.com

The contents of this publication are for informational purposes only. While every effort has been made to ensure accuracy, these contents are not to be construed as warranties or guarantees, expressed or implied, regarding the products or services described herein or for their use or applicability. Marshall Excelsior Co. reserves the right to modify or improve the designs or specifications of such products at any time without notice. The MEC™ logo is the trademark of Marshall Excelsior Co.

**ME990-10-PRK
PACKING REPAIR KIT
FOR: ME990-10 1 1/4" INTERNAL VALVE**

C. Component List

- 1. Body
- 2. Gland Assembly
 - 2A. Gland
 - 2B. Bonnet Stem
 - 2C. Packing Spacer
 - 2D. Female V-Packing
 - 2E. V-Packing, 3 required
 - 2F. Male V-Packing
 - 2G. Packing Washer
 - 2H. Packing Spring
 - 2J. O-Ring
 - 2K. Stem Bushing
 - 2L. Cam Assembly
 - 2M. Cam Washer
 - 2N. Cam Screw



- 3. Mounting Screw; Qty: 2
- 4. Cover Plate
- 5. Cover Washer; Qty: 2

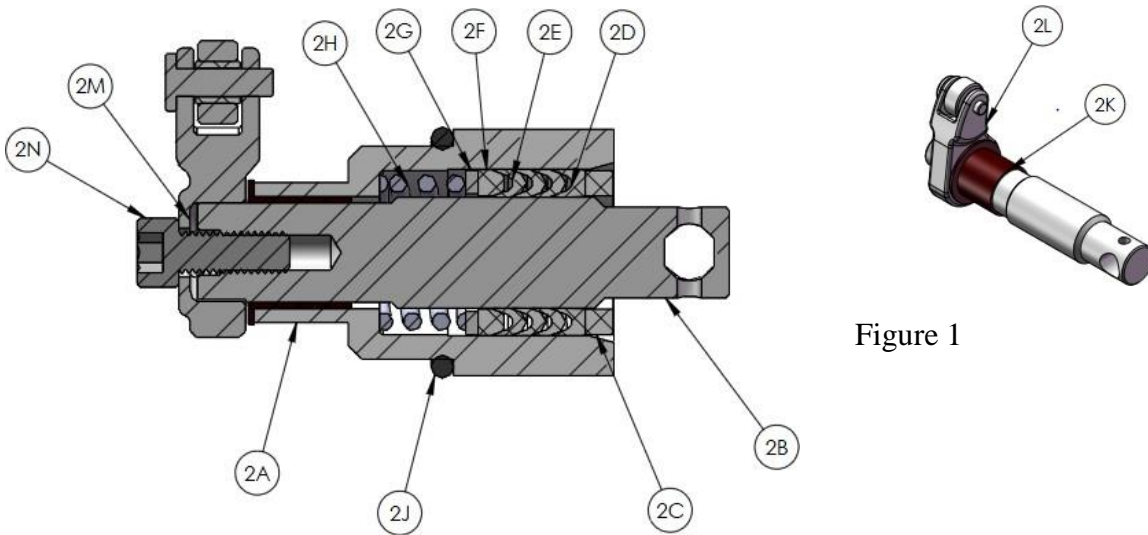


Figure 1

Marshall Excelsior Company
1506 George Brown Drive Marshall, MI 49068
Phone (269) 789-6700 Fax (269) 781-8340
www.marshallexcelsior.com

The contents of this publication are for informational purposes only. While every effort has been made to ensure accuracy, these contents are not to be construed as warranties or guarantees, expressed or implied, regarding the products or services described herein or for their use or applicability. Marshall Excelsior Co. reserves the right to modify or improve the designs or specifications of such products at any time without notice. The MEC™ logo is the trademark of Marshall Excelsior Co.