

ME806CRK
COUPLING REPLACEMENT KIT
FOR: ME806-16 TURBO-FLO LE TRANSFER VALVE

!!!WARNING!!!

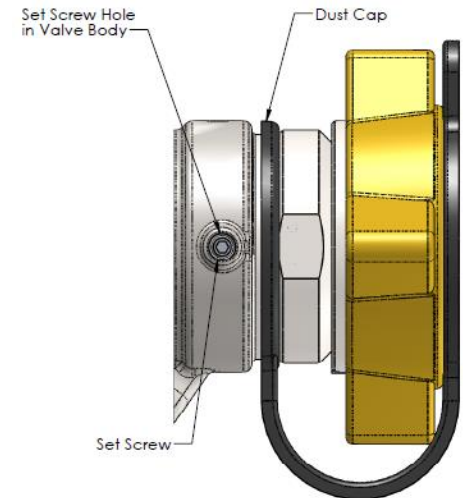
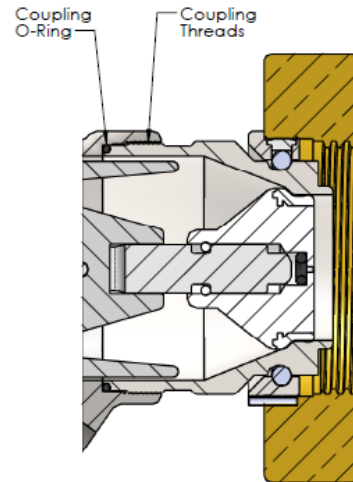
READ AND UNDERSTAND ALL INSTRUCTIONS INCLUDED WITH THIS REPAIR KIT
 RELIEVE ALL PRESSURE FROM SYSTEM BEFORE REMOVING VALVE FOR SERVICE

A. DISASSEMBLY

1. Remove Set Screws and discard
2. Remove Coupling and Dust Cap and discard
Coupling and retain Dust Cap
3. Remove Coupling O-Ring and discard
4. Inspect valve body and clean if necessary, be sure interior is free of dirt, residue and foreign particles.

B. REASSEMBLY

1. Apply Lubriplate to Coupling O-Ring and install into Valve Body
2. Apply Loctite #565 or other thread sealant to Coupling threads and install into Valve Body
3. Drill $\phi 1/4$ " dimple to a maximum depth of .09" in Coupling through each set screw hole.
4. Apply Loctite #271 to Set Screws and install and torque to 80 in lbs.
5. Connect the valve assembly outlet to a pressure source of at least 150 PSI. Check for leaks at all joints and seals using a suitable leak detector solution such as "Marshall Excelsior" leak detector.
CAUTION: Do not use the valve if any joint continues to leak under pressure.
6. Install Dust Cap.



Marshall Excelsior Company

1506 George Brown Drive Marshall, MI 49068
 Phone (269) 789-6700 Fax (269) 781-8340
www.marshallexcelsior.com

The contents of this publication are for informational purposes only. While every effort has been made to ensure accuracy, these contents are not to be construed as warranties or guarantees, expressed or implied, regarding the products or services described herein or for their use or applicability. Marshall Excelsior Co. reserves the right to modify or improve the designs or specifications of such products at any time without notice. The MEC™ logo is the trademark of Marshall Excelsior Co.