



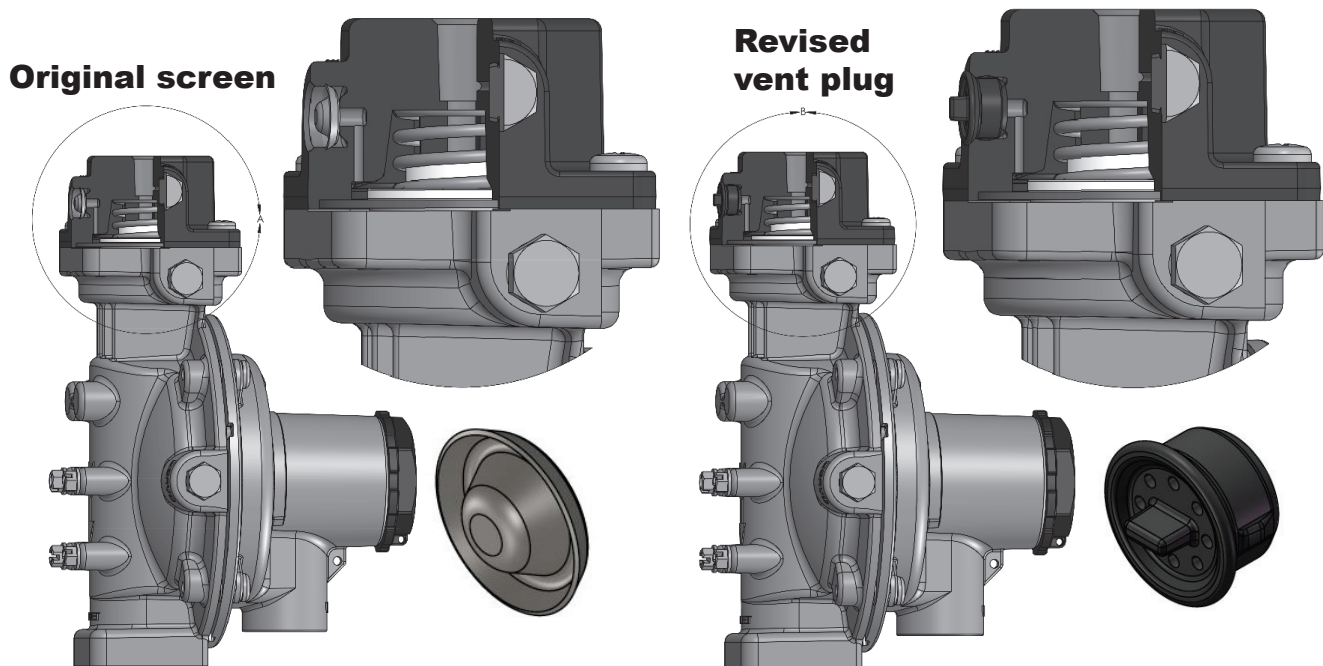
# Excelsa-Flo Integral Two-Stage (Twin) Regulator Product Update Bulletin

This product update bulletin covers enhancements to the following Excelsa-Flo regulator models:

Excelsa-Flo™ Integral Two-Stage Regulators			
COMPACT	2 PSI COMPACT	FULL SIZE	2 PSI ULL SIZE
MEGR-1232-BBF	MEGR-1232E-BBH	MEGR-1632-BCF	MEGR-1632E-BCH
MEGR-1232-BBFXA	MEGR-1232E-BBHXA	MEGR-1632-BCFXA	MEGR-1632E-BCHXA
MEGR-1232-HBF	MEGR-1232E-HBH	MEGR-1632-CFF	MEGR-1632E-CFH
MEGR-1232-HBFXA	MEGR-1232E-HBHXA	MEGR-1632-CFFXA	MEGR-1632E-CFHXA
MEGR-1232-HFF		MEGR-1632-HCF	MEGR-1632E-HCH
MEGR-1232-HFFXA		MEGR-1632-HCFXA	MEGR-1632E-HCHXA
MEGR-1232-HFFXB		MEGR-1632-JFF	MEGR-1632E-JFH
		MEGR-1632-JFFXA	MEGR-1632E-JFHXA
		MEGR-1632-JFFXB	

## PRODUCT ENHANCEMENT: Revised vent screen to rubber vent plug

- Removable design with pull tab facilitates installation of the MEP1632 vent guard
- Provides additional protection against freeze-ups
- Serves as a moisture barrier and allows water to escape far more efficiently. The holes are specifically designed to prevent water from entering as easily, as well as preventing the collection of moisture on the interior.



### Marshall Excelsior Company

1506 George Brown Drive; Marshall, MI 49068; Phone: (269)-789-6700; [www.marshallexcelsior.com](http://www.marshallexcelsior.com)

The contents of this publication are for informational purposes only. While every effort has been made to ensure accuracy, these contents are not to be construed as warranties or guarantees, expressed or implied, regarding the products or services described herein or for their use or applicability. Marshall Excelsior Co. reserves the right to modify or improve the designs or specifications of such products at any time without notice. The MEC™ log is the trademark of Marshall Excelsior Co.