

**ME777-HRK  
POL FILLER VALVE  
HANDLE REPAIR KIT**

**!!!WARNING!!!**

READ AND UNDERSTAND ALL INSTRUCTIONS INCLUDED WITH THIS REPAIR KIT  
RELIEVE ALL PRESSURE FROM SYSTEM BEFORE REMOVING VALVE FOR SERVICE

**NOTE:** Numbers in brackets [ ] refer to the number in the valve component list.

**!WARNING!**

**Relieve all pressure from system before removing valve for service, and before any disassembly or repair.**

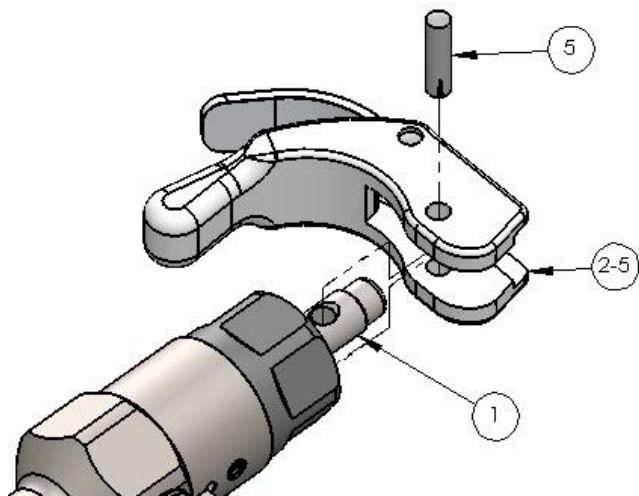
**Read and understand all instructions included with the repair kit, prior to starting any repairs.**

**!GENERAL WARNING!**

Marshall Excelsior products are mechanical devices that are subject to wear, contaminants, corrosion, and aging of components made of materials such as rubber and metal. Over time these devices will eventually become inoperative. The safe service life of these products will reflect the environment and conditions of use that they are subjected to. Regular inspection and maintenance is essential. Marshall Excelsior products have a long record of quality and service, so LP-Gas dealers may forget hazards that can arise from using aging devices that have outlived their safe service life.

**A. Disassembly of ME777 Filler Valve**

1. Remove Dowel Pin [5] from Upper Stem [1] and Handle Body [2] and discard.
2. Discard Handle Sub-assembly [2-5]



**B. Reassembly**

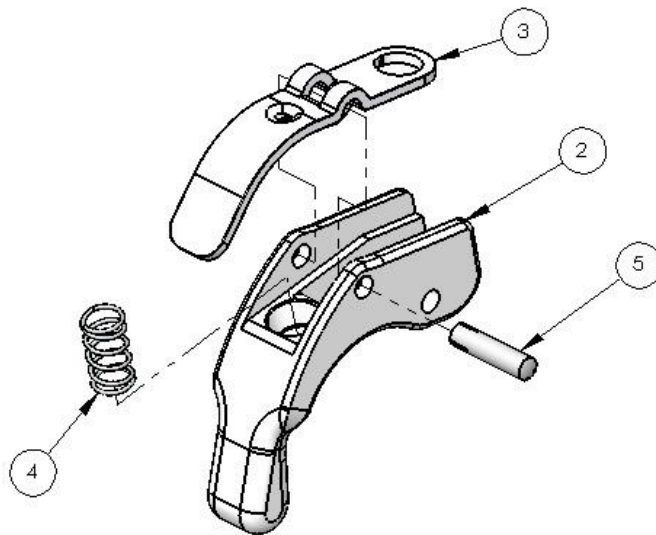
1. Install Latch Spring [4] and Handle Latch [3] into Handle Body [2] and press in Dowel Pin [5]
2. Install Handle Sub-assembly [2-5] into Upper Stem [1] and press in Dowel Pin [5]

After reassembly, connect the Filler Valve inlet to a pressure source of at least 150 psi. Check for leaks at all assembly joints using a suitable leak detector solution such as “Marshall Excelsior” leak detector.

**!CAUTION!**

**If any joint or seal continues to leak after reassembly, do not continue to use the valve.**

Item Number	Description	Qty.	Included in Repair kit
1	Upper Stem	1	No
2	Handle Body	1	Yes
3	Handle Latch	1	Yes
4	Latch Spring	1	Yes
5	Dowel Pin	2	Yes



**Marshall Excelsior Company**

1506 George Brown Drive Marshall, MI 49068  
Phone (269) 789-6700 Fax (269) 781-8340  
www.marshallexcelsior.com

The contents of this publication are for informational purposes only. While every effort has been made to ensure accuracy, these contents are not to be construed as warranties or guarantees, expressed or implied, regarding the products or services described herein or for their use or applicability. Marshall Excelsior Co. reserves the right to modify or improve the designs or specifications of such products at any time without notice. The MEC™ logo is the trademark of Marshall Excelsior Co.